

**Project :** Tesco Southport

**Customer :**

**Project Code :** BE-1024

**Quotation :**

**Date :** 02 January 2025



Climafan Shortcased Type A  
BE-1024-1

80AC/20/6/6/26  
Lead time may vary based on stock availability at time of order. Please refresh the lead time in the project or reselect the fan before placing an order.

**PRODUCT**

Model Code	80AC/20/6/6/26
Fan Diameter	800 mm
Fan Speed	935 rpm [Max 1440, Min 180]
Impeller	6 Blades, 26° Angle
Installation	Type A - Form B
Fan Casing	Short - Horizontal

**PERFORMANCE**

Requested Duty	4.00 m³/s @ 0.000 Pa (Static)
Actual Duty	6.17 m³/s @ 0.000 Pa (Static)
Outlet Dynamic Pressure	90 Pa
Velocity	12.28 m/s
Absorbed Power	1.01 kW
Peak Power	1.30 kW [Used to size motor]

**MOTOR**

Motor Rating	1.40 kW [ F22 Frame - 6 Pole ]
Full Load Current	9.42 A
Starting Current	25 A
Electrical Supply	220 - 240 Volts 50 Hz 1 Phase
Motor Winding	Standard
Motor Type	TEAR - Pad - IE1 - Class F Insulation

**EFFICIENCY GRADES**

ErP [FMEG] Rating	N 46 (ErP Compliant 2015) ✓
ErP [FMEG]	Target N 40
FMEG Blade Angle [Range]	20° [ 20° To 26° ]
Measurement Category	A
VSD	No
Fan + Motor Efficiency	40.9% (3.33 m³/s @ 166 Pa)
Motor Input Power (ErP)	1.35 kW

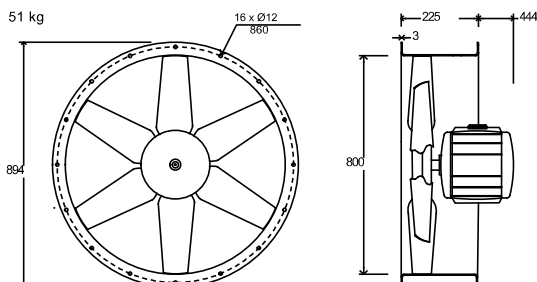
**ENVIRONMENT**

Air Density	1.2 kg/m³ / 20 °C / 0 m / 40% RH
Smoke Venting	No Smoke Venting
Operating Environment	Normal

**RUNNING COSTS**

Power from mains	1.43 KW
Energy Consumption	2,869.48 kWh (2,000.00 h/Year)
Running Cost / Year	£717.37
CO2 per Year	1,008.80 kgCO2e
SFP value	0.23 W/l/s @ Actual Duty

**PRODUCT DIMENSIONS**



This drawing shows dimensions that should be used as a guide only and are subject to change. Certified drawings are available on request.

**Axial Way**  
Colchester Essex CO4 5DZ  
+44 (0) 1206 222 555

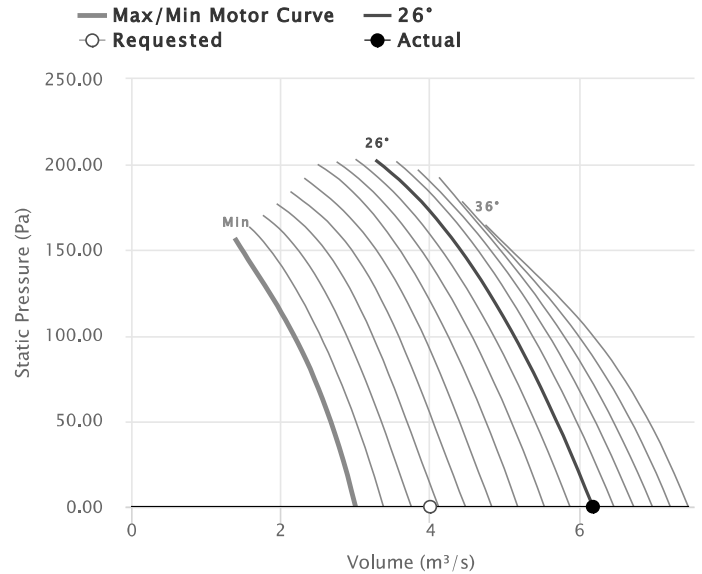
UK

**MECHANICAL**

Casing	800mm Steel Casing
Impeller	Aluminium LM6 Hub, Plastic Blades Blades
Operating Temperatures	-40 °C to 50 °C (95% Max Relative Humidity)
Weight	51kg

**COMMENTS**

**FAN PERFORMANCE CURVE**



**ACOUSTICS**

	Sound Spectrum (Hz)								Overall		Distance (3 m)
	63	125	250	500	1k	2k	4k	8k	Lw*	LwA*	LpA @ 3 m **
Inlet	80	80	81	80	78	75	72	69	87	83	63
Outlet	85	88	88	83	80	77	74	72	93	86	66
B Type Silencer 1D	-3	-5	-8	-16	-12	-9	-9	-8			

Sound Data At Requested Duty.

\* Lw dB re 10<sup>-12</sup> W

\*\* dBA re 2x10<sup>-5</sup> Pa

**FAN & ACCESSORIES**

Item Description	Part Number	Qty
80AC/20/6/6/26		1
B Type Silencer 1D	SB331401	1

Project : Tesco Southport

Customer :

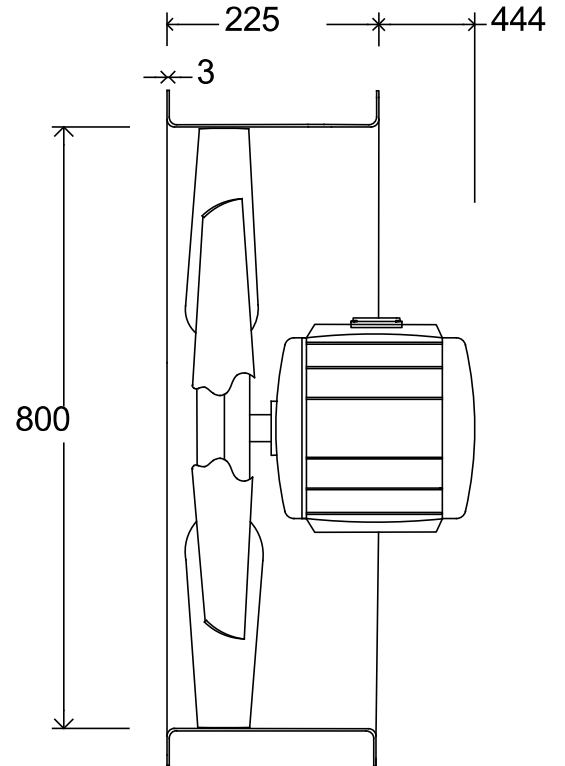
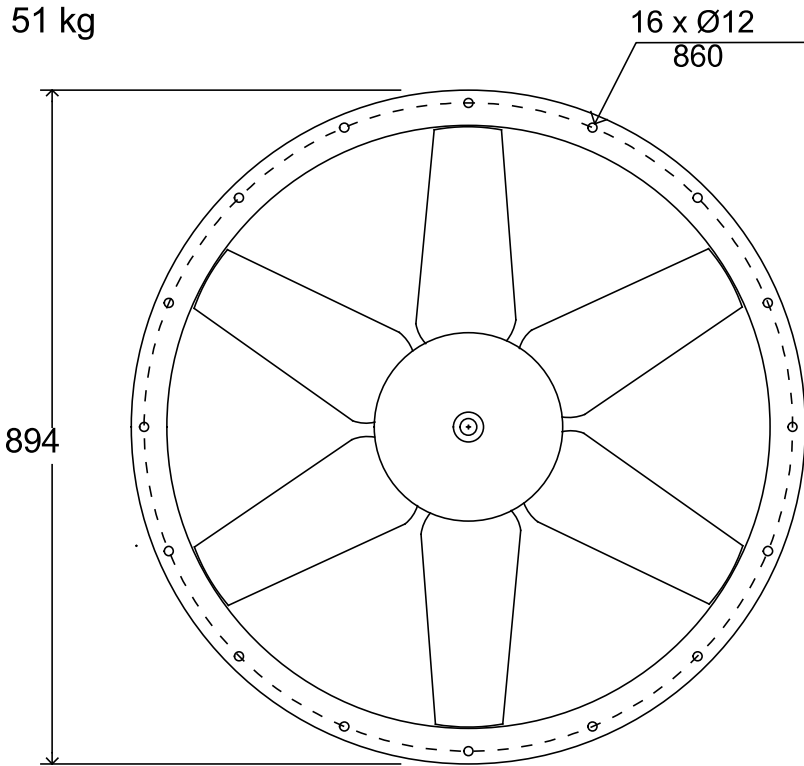
Project Code : BE-1024

Quotation :

Date : 02 January 2025

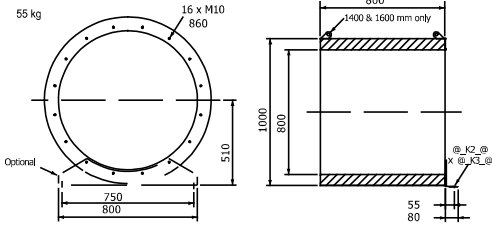
**PRODUCT DIMENSIONS**

51 kg



**ACCESSORY DIMENSIONS**

**B TYPE SILENCER 1D**



Project : Tesco Southport

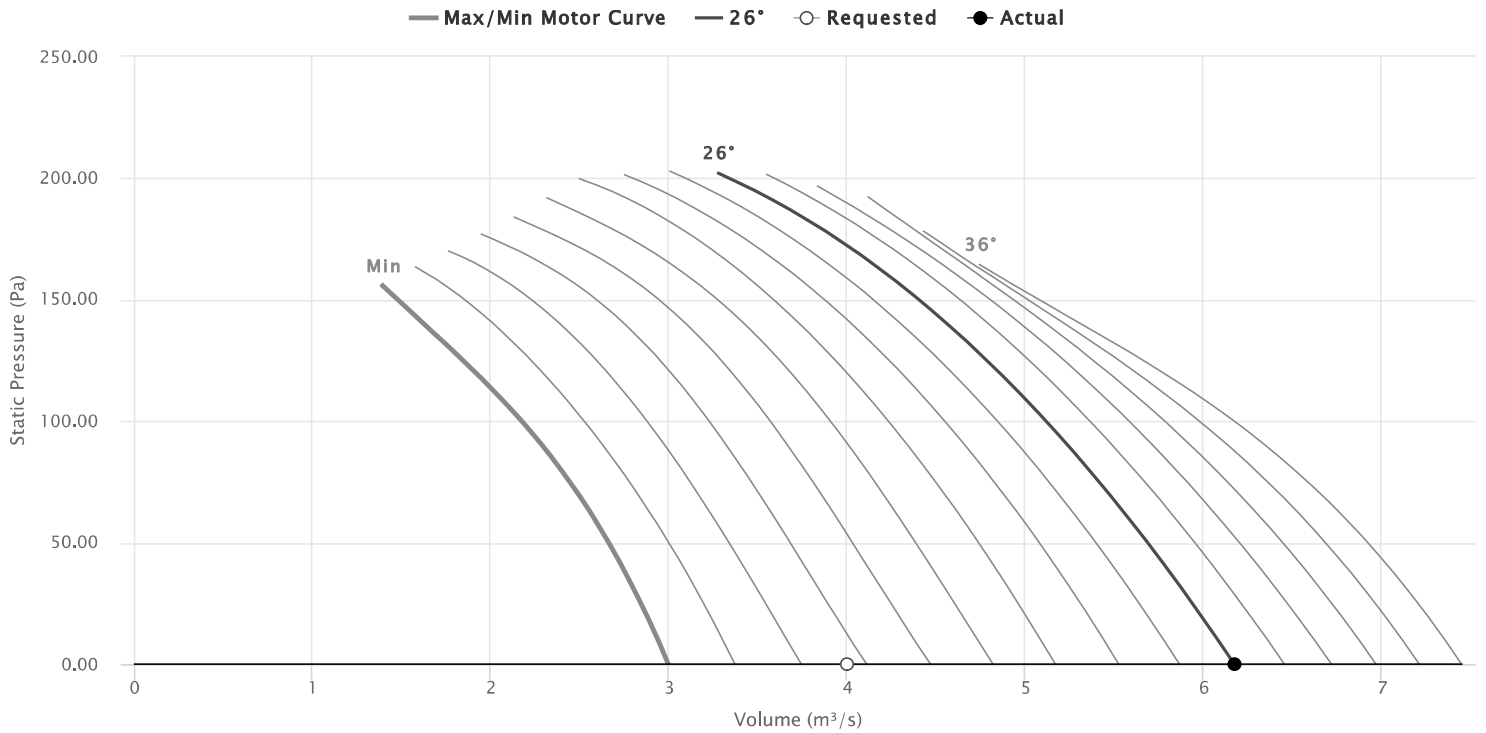
Customer :

Project Code : BE-1024

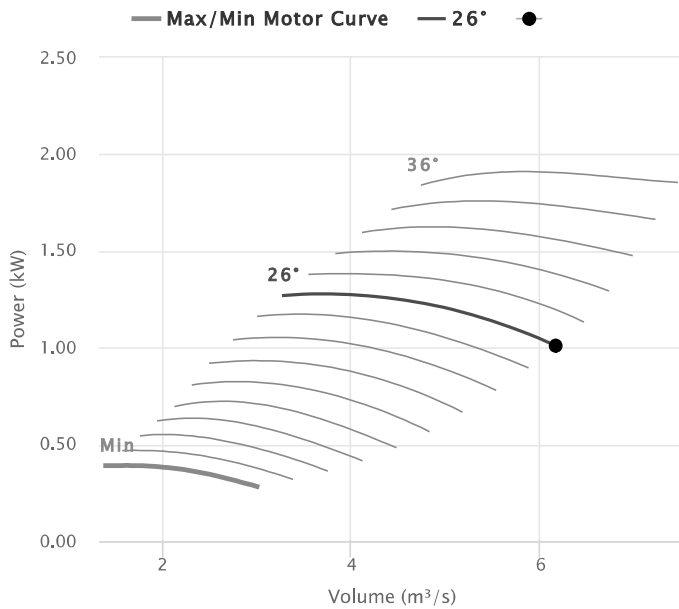
Quotation :

Date : 02 January 2025

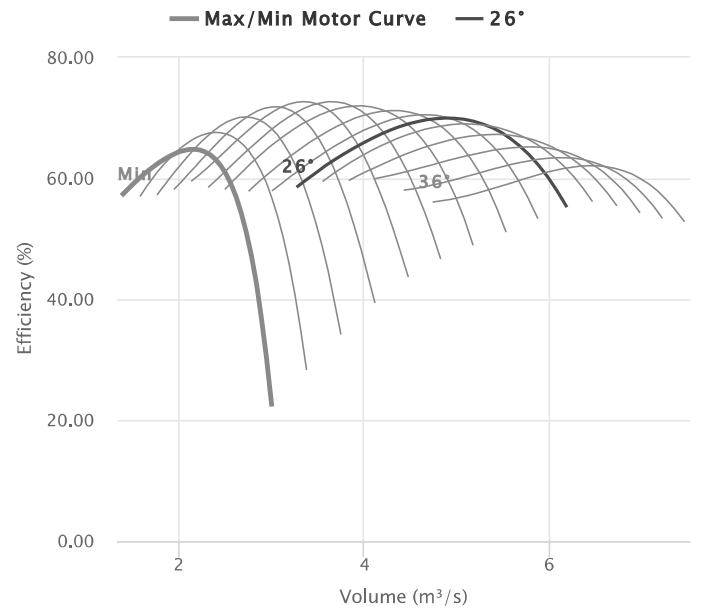
**AERODYNAMIC**



**POWER CHART**



**EFFICIENCY CHART**



**ACOUSTICS**

	Sound Spectrum (Hz)								Overall	
	63	125	250	500	1k	2k	4k	8k	Lw*	LpA @ 3 m **
Inlet	80	80	81	80	78	75	72	69	87	63
Outlet	85	88	88	83	80	77	74	72	93	66

Sound Data At Requested Duty ,

\* Lw dB re 10<sup>-12</sup> W

\*\* dBA re 2x10<sup>-5</sup> Pa

**Project :** Tesco Southport

**Customer :**

**Project Code :** BE-1024

**Quotation :**

**Date :** 02 January 2025



Climafan Shortcased Type A  
BE-1024-2

80AC/20/6/6/26  
Lead time may vary based on stock availability at time of order. Please refresh the lead time in the project or reselect the fan before placing an order.

**PRODUCT**

Model Code	80AC/20/6/6/26
Fan Diameter	800 mm
Fan Speed	935 rpm [Max 1440, Min 180]
Impeller	6 Blades, 26° Angle
Installation	Type A - Form B
Fan Casing	Short - Horizontal

**PERFORMANCE**

Requested Duty	3.90 m³/s @ 0.000 Pa (Static)
Actual Duty	6.17 m³/s @ 0.000 Pa (Static)
Outlet Dynamic Pressure	90 Pa
Velocity	12.28 m/s
Absorbed Power	1.01 kW
Peak Power	1.30 kW [Used to size motor]

**MOTOR**

Motor Rating	1.40 kW [ F22 Frame - 6 Pole ]
Full Load Current	9.42 A
Starting Current	25 A
Electrical Supply	220 - 240 Volts 50 Hz 1 Phase
Motor Winding	Standard
Motor Type	TEAR - Pad - IE1 - Class F Insulation

**EFFICIENCY GRADES**

ErP [FMEG] Rating	N 46 (ErP Compliant 2015) ✓
ErP [FMEG]	Target N 40
FMEG Blade Angle [Range]	20° [ 20° To 26° ]
Measurement Category	A
VSD	No
Fan + Motor Efficiency	40.9% (3.33 m³/s @ 166 Pa)
Motor Input Power (ErP)	1.35 kW

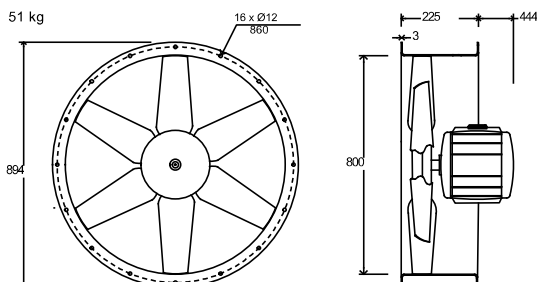
**ENVIRONMENT**

Air Density	1.2 kg/m³ / 20 °C / 0 m / 40% RH
Smoke Venting	No Smoke Venting
Operating Environment	Normal

**RUNNING COSTS**

Power from mains	1.43 KW
Energy Consumption	2,869.48 kWh (2,000.00 h/Year)
Running Cost / Year	£717.37
CO2 per Year	1,008.80 kgCO2e
SFP value	0.23 W/l/s @ Actual Duty

**PRODUCT DIMENSIONS**



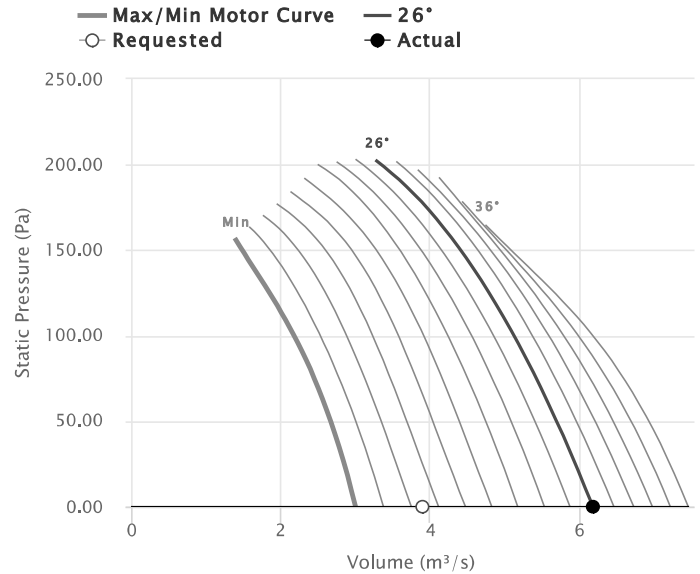
This drawing shows dimensions that should be used as a guide only and are subject to change. Certified drawings are available on request.

**MECHANICAL**

Casing	800mm Steel Casing
Impeller	Aluminium LM6 Hub, Plastic Blades Blades
Operating Temperatures	-40 °C to 50 °C (95% Max Relative Humidity)
Weight	51kg

**COMMENTS**

**FAN PERFORMANCE CURVE**



**ACOUSTICS**

	Sound Spectrum (Hz)								Overall		Distance (3 m)
	63	125	250	500	1k	2k	4k	8k	Lw*	LwA*	LpA @ 3 m **
Inlet	80	80	81	80	78	75	72	69	87	83	63
Outlet	85	88	88	83	80	77	74	72	93	86	66
B Type Silencer 1D	-3	-5	-8	-16	-12	-9	-9	-8			

Sound Data At Requested Duty.

\* Lw dB re 10<sup>-12</sup> W

\*\* dBA re 2x10<sup>-5</sup> Pa

**FAN & ACCESSORIES**

Item Description	Part Number	Qty
80AC/20/6/6/26		1
B Type Silencer 1D	SB331401	1

Axial Way

Colchester Essex CO4 5DZ

+44 (0) 1206 222 555

UK

Project : Tesco Southport

Customer :

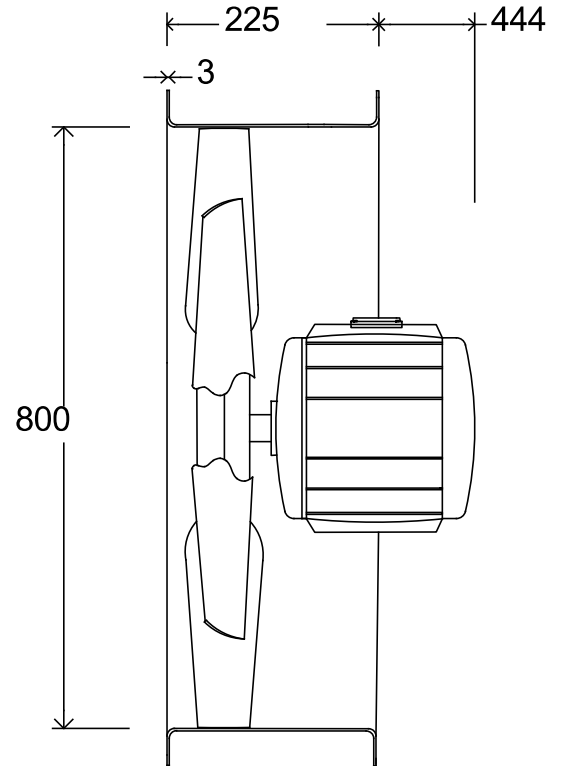
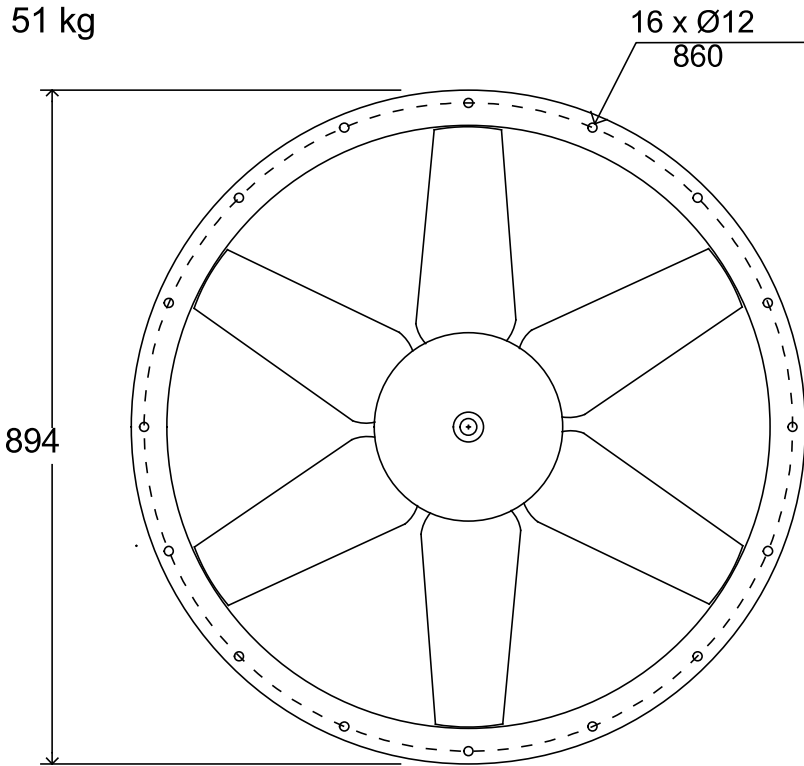
Project Code : BE-1024

Quotation :

Date : 02 January 2025

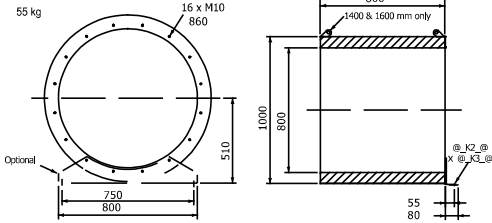
**PRODUCT DIMENSIONS**

51 kg



**ACCESSORY DIMENSIONS**

**B TYPE SILENCER 1D**



Project : Tesco Southport

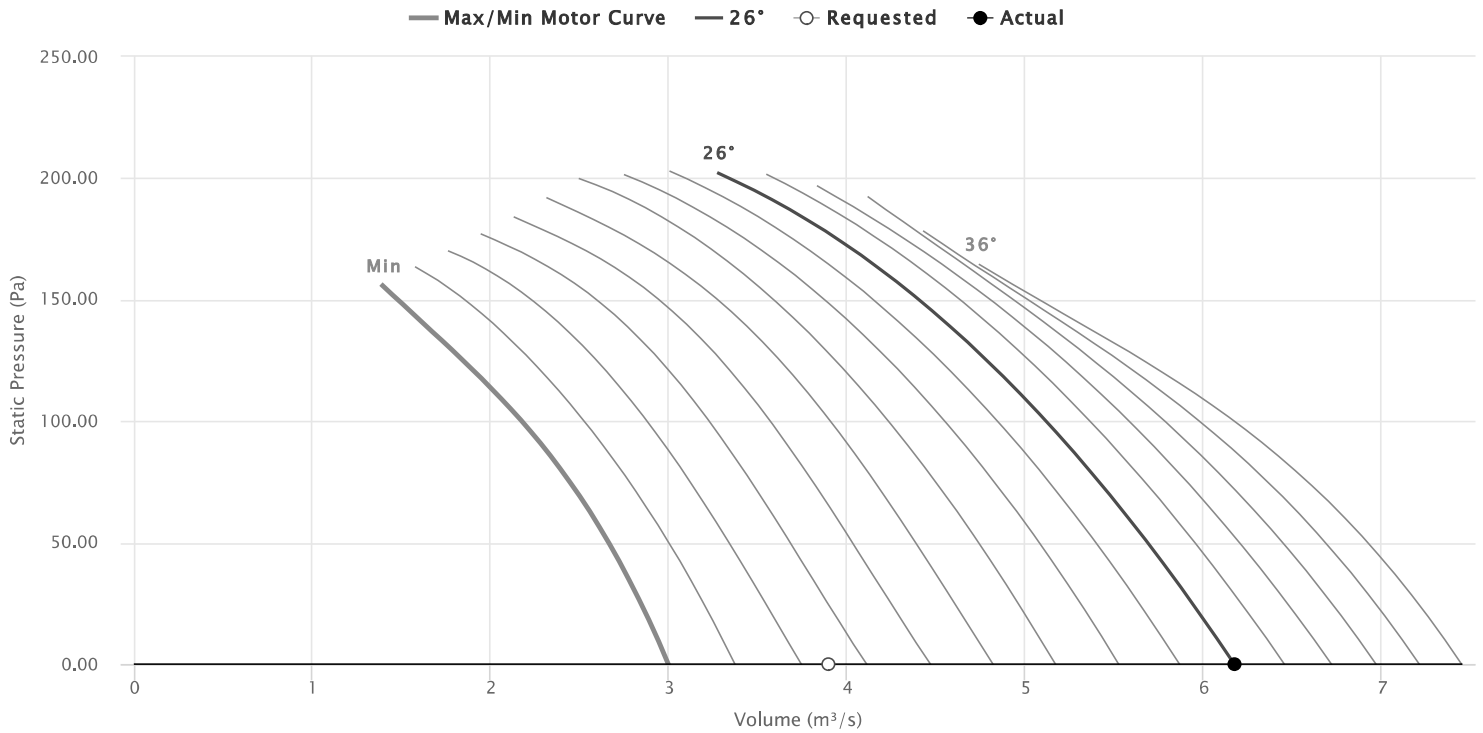
Customer :

Project Code : BE-1024

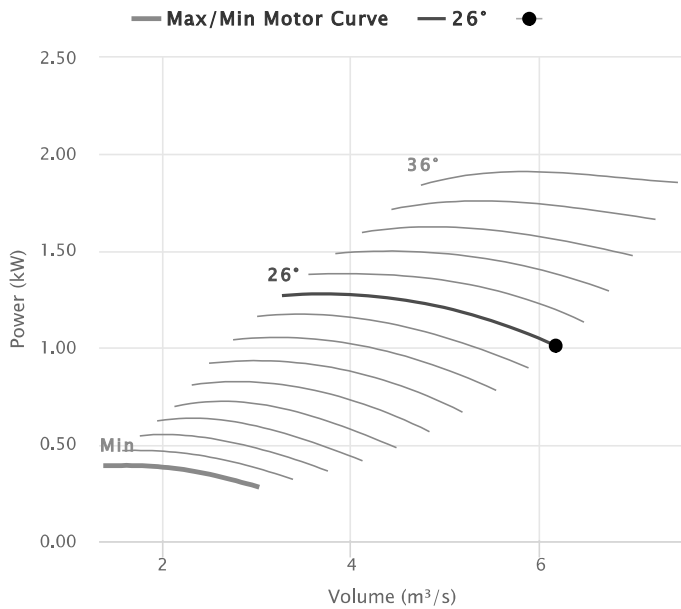
Quotation :

Date : 02 January 2025

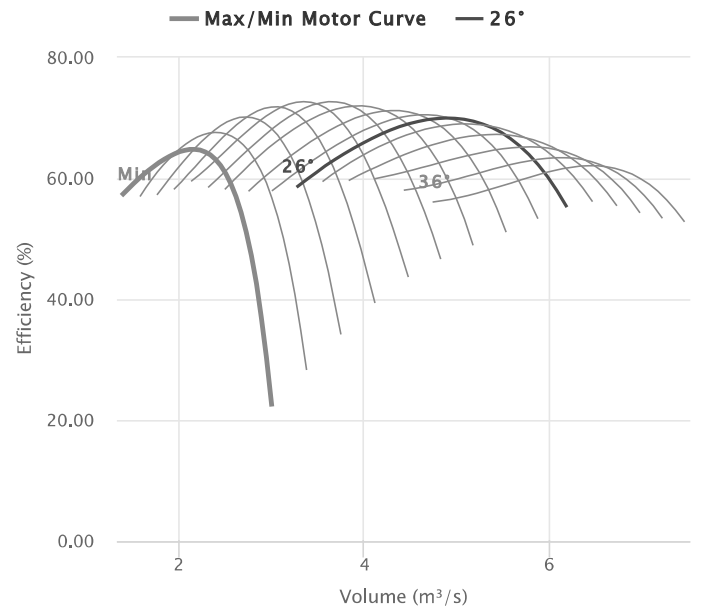
**AERODYNAMIC**



**POWER CHART**



**EFFICIENCY CHART**



**ACOUSTICS**

	Sound Spectrum (Hz)								Overall	
	63	125	250	500	1k	2k	4k	8k	Lw*	LpA @ 3 m **
Inlet	80	80	81	80	78	75	72	69	87	63
Outlet	85	88	88	83	80	77	74	72	93	66

Sound Data At Requested Duty ,

\* Lw dB re 10<sup>-12</sup> W

\*\* dBA re 2x10<sup>-5</sup> Pa